

# ALFRED TEVES BRAKE SYSTEMS (PTY) LTD

## TECHNICAL BULLETIN

27 September 2022

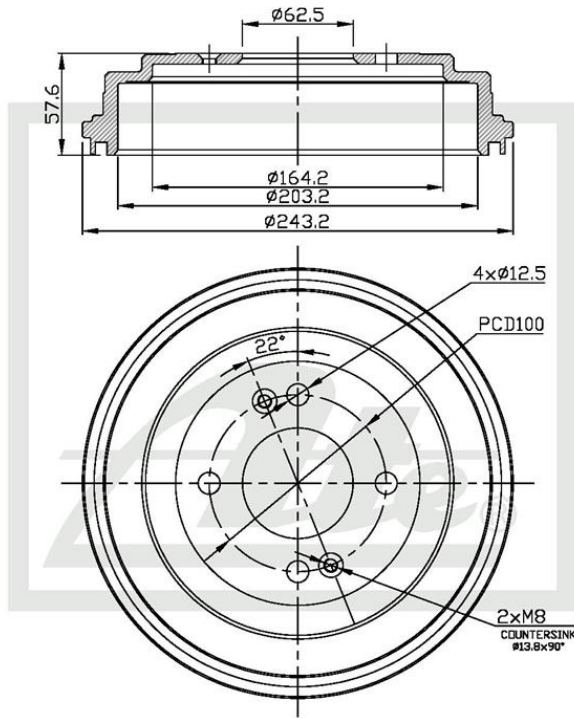


(ATE and Teves are registered trademarks of Continental Teves AG & Co oHG and/or its affiliates in Frankfurt Germany and other Countries)

# 220.3043

### NEW PART NUMBER

#### Drawing



MAX. Ø205.2 mm +

#### Details of New Part

#### Brake Drum – Rear

#### Product Dimensions

Outer Diameter – 243.3mm

Inner Diameter – 203.2mm

Height – 57.6mm

PCD - 100mm

Spigot – 62.5mm

#### Package Dimensions

Weight – 4500g

L – 281.3mm

W – 281.3mm

H – 77.8mm

#### Barcode



220.3043

#### Vehicle Applications

HYUNDAI ACCENT III (MC) 1.6 GLS (2005-2010); HYUNDAI GRAND i10 II (AC3, AI3) 1.0 MPi, 1.2 MPi 2019-; HYUNDAI GRAND i10 I (BA, IA) 1.0, 1.2 (2013-2019); HYUNDAI i10 I (PA) 1.1, 1.1 LPG (2011-2013); HYUNDAI i10 I (PA) 1.2 (2008-2011); HYUNDAI i20 I (PB, PBT) 1.2, 1.4, 1.4 CRDi, 1.6 (2008-2015); HYUNDAI i20 II (GB, IB) 1.2 (2014-2020); KIA RIO (JB) 1.4 16V, 1.6 16V, 1.6 CVT (2005-2014).

Front

Position

Rear



**CALL NOW TO ORDER YOUR STOCK!!!**

(011) 898 1800

Picture(s) of the vehicle(s) that this part is suitable for



www.ate.co.za

"Single Minded about YOUR Safety"